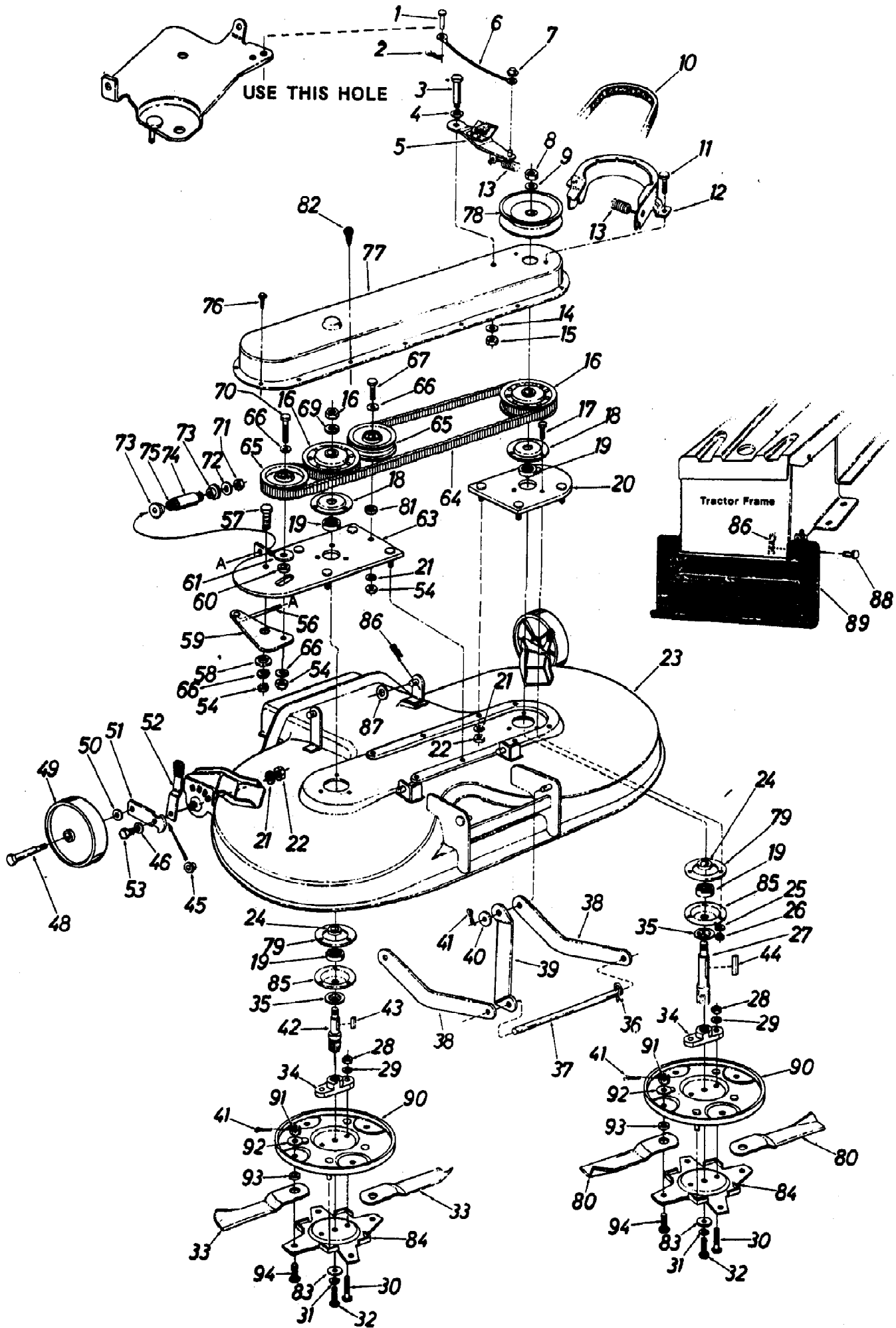


195-931-190 44" Rear Discharge Deck (1985)
44" Rear Discharge Deck



195-931-190 44" Rear Discharge Deck (1985)
44" Rear Discharge Deck

Page 2 of 7

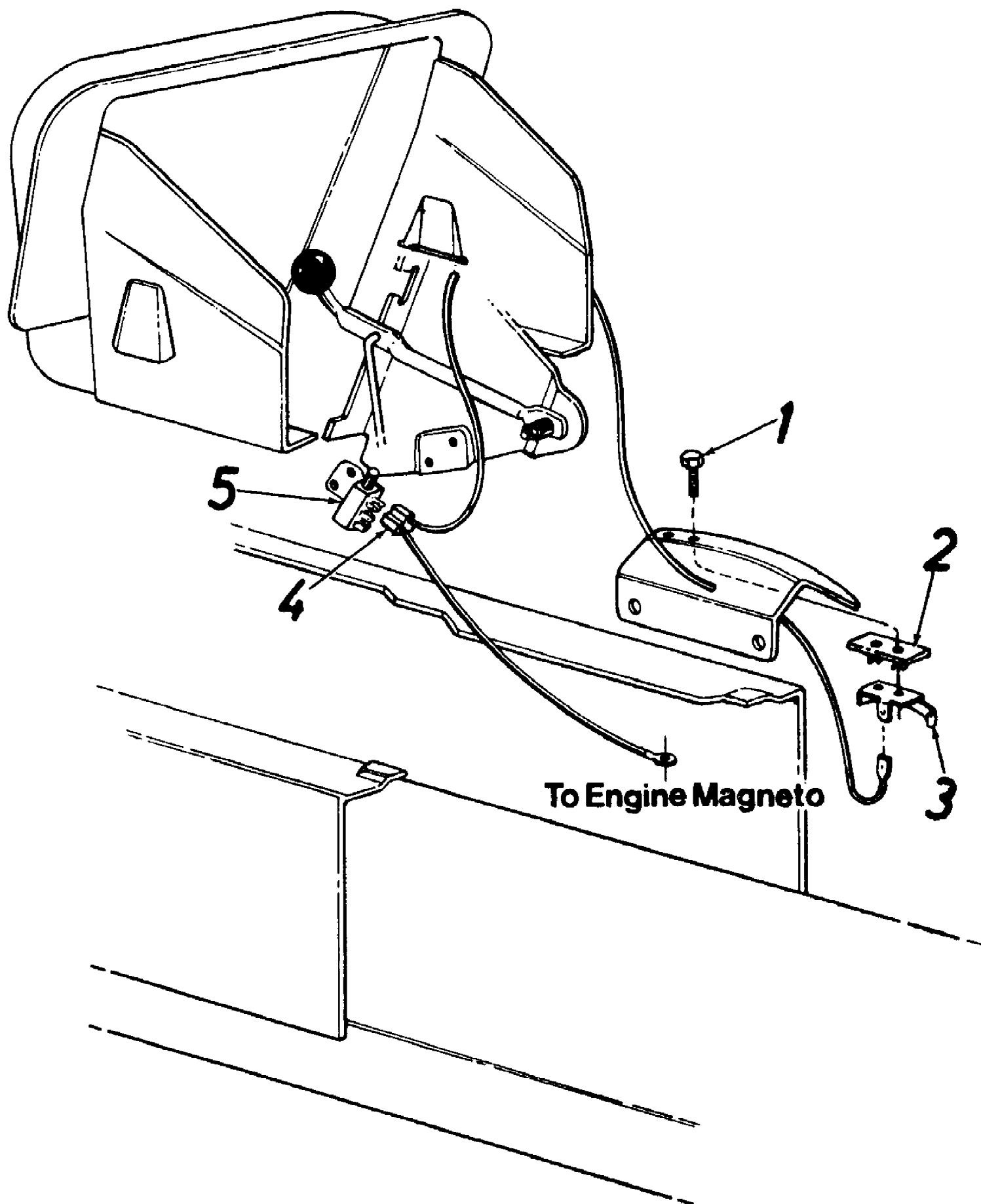
Ref #	Part Number	Qty	S/P/F	Description
1	711-0701	1	S	Clevis Pin 1/4" Dia. x 1/2" Lg.
2	714-0104	1	S	Hairpin Cotter 1/4" Dia.
3	738-0140	1	S	Shld. Bolt .437" Dia. x.180" Lg. (5/16-18)
4	736-0141	1	S	WaveWasher 7/16" Scr.
5	16321	1		Spindle Brake Arm Ass'y.
6	746-0237	1	S	Brake Cable Ass'y. (Deck)
7	726-0106	1	S	Push Cap 1/4" Stud.
8	712-0318	1	/P	Hex Jam Nut 5/8-18 Thd.
9	736-0317	1	/P	Bell.-Wash. 5/8" I.D. x 1.25" O.D.
10	754-0230	1	S	"V"-Belt 1/2" x 56" Lg.
11	710-0599	1	/P	Hex Wash. Hd. Self Tap Scr. 1/4 20 x .50" Lg.
12	14258	1	S	Belt Guard
13	732-0465	1		Extension Spring
14	736-0242	1	/P	Bell.-Wash 340" I.D.
15	712-0158	1	S	Hex Cent. L-Nut 5/16-18 Thd.
16	756-0334	1		Sprocket Pulley Ass'y.
17	710-0117	1	S	Hex Bolt 5/16-24 x 1.00" Lg. (Grade 5)
18	08253	1	S	Bearing Housing
19	741-0919	1	S	Ball Bearing.787" I.D. x 1.85" O.D.
20	13868	1		Spindle Plate Ass'y.
21	736-0169	1	S	L.-Wash. 3/8" I.D.*
22	712-0711	1	/P	Hex Jam Nut 3/8-24 Thd.
23	14251	1		44" R.D. Deck Ass'y.
24	750-0456	1	S	Spacer
25	736-0119	1	S	L.-Wash. 5/16" I.D.*
26	712-0123	1	/P	Hex Nut 5/16-24 Thd.*
27	738-0504	1		Blade Spindle-L.H.
28	712-0123	1	/P	Hex Nut 5/16-24Thd.*
29	736-0119	1	S	L.-Wash. 5/16" I.D."
30	710-0888	1	/P	Hex Bolt 5/16-24 x 1.00" Lg. (Special)
31	736-0217	1	S	L-Wash. 3/8" I.D., H.D.
32	710-0696	1	/P	Hex Bolt 3/8-24 x .88" Lg. (Grade 5)
33	742-0277	1		Blade-L.H. Rotation
34	748-0235	1	/P	Blade Adapter
35	13703	1		Bearing Shield
36	714-0149	1	S	Hairpin Cotter N
37	738-0392	1		Deck Connecting Rod
38	13866	1		Deck Stabilizer
39	13867	1		Diagonal Brace
40	736-0192	1	S	Fl.-Wash. .50" I.D. x 1.00 O .D. x .090
41	714-0111	1	S	Cotter Pin 3/32" Dia. x 1.00" Lg.*
42	738-0505	1		Blade Spindle-R.H.
43	714-0122	1	S	Sq. Key 3/16" x 75" Lg.*
44	714-0133	1	S	Sq. Key 3/16" x 1.50" Lg.*
45	748-0279	1		Shoulder Spacer
46	736-0219	1	S	Bell.-Wash 400" I.D.
48	738-0455	1	S	Shld. Bolt 3/8-16 x 1.41" Lg.
49	734-0974	1	/P	Wheel Ass'y. Comp. 6" x 1.38
50	736-0105	1	/P	Bell-Wash. 3/8" I.D.
51	10937	1		Wheel Pivot Bar
52	14082	1	/P	Spring Lever Ass'y. w/ knob
53	710-0191	1	/P	Hex Bolt 3/8-24 x 1.25" Lg. Grade 5
54	712-0214	1		Hex Nut 3/8-24 Thd.

195-931-190 44" Rear Discharge Deck (1985)
44" Rear Discharge Deck

Page 3 of 7

Ref #	Part Number	Qty	S/P/F	Description
	736-0169	1	S	L.-Wash. 3/8" I.D.*
56	710-0437	1	S	Adjustment Link 5/16-18 x 4-9/16" Lg.
57	710-0152	1	S	Hex Bolt 3/8-24 x 1.00"
58	738-0347	1	S	Shld. Spacer .625" I.D.
59	14256	1		Belt Idler Brkt.
60	750-0507	1		Spacer.380" I.D. x .625" O.D. x .265
61	736-0320	1	/P	Fl.-Wash. .38" I.D. x 1.37" O.D. x .125
63	14254	1		Spindle & Idler Mount Plate Ass'y.
64	754-0260	1	S	HTD Twin Power Belt
65	756-0365	1	S	Fl.-Idler Pulley 3.50" O.D.
66	736-0105	1	/P	Bell.-Wash 38" I.D.
67	710-0539	1	/P	Hex Bolt 3/8-24 x 1.75" Lg. (Grade 5)
	712-0318	1	/P	Hex Jam Nut 5/8-18 Thd.*
69	736-0317	1	/P	Bell.-Wash. 5/8" I.D.
70	710-0151	1	/P	Hex Bolt 3/8-24 x 2.00" Lg.
71	712-0429	1	S	Hex Insert L.-Nut 5/16-18 Thd.
72	736-0231	1	S	Fl.-Wash. 344" I.D. x 1.125" O.D. x .125
73	738-0347	1	S	Sh Id. Spacer .625" 1. D.
74	750-0455	1		Spacer-Adj. Bolt
75	732-0377	1		Compression Spring
76	710-0599	1	/P	Hex Wash. Hd. Self Tap. Scr. 1/4-20 x . 50" Lg.
77	14253	1		Belt Cover
78	756-0375	1		Deck Drive Pulley
79	09164	1	S	Deck Reinforcement Plate
80	742-0278	1	S	Blade-R.H. Rotation
81	736-0206	1	S	Fl.-Wash. .38" I.D. x 1.00" O.D.
82	710-0642	1	/P	Hex Wash. Hd. Self Tap-Scr. 1/4-20 x .75" Lg.
83	736-0227	1	S	Flat Washer
84	742-0279	1	S	Lower Blade Disc
85	15296	1	S	Open Bearing Housing
86	714-0145	1	S	Hairpin Cotter
87	736-0192	1	S	Fl.-Wash. 1/2" I.D.
88	711-0173	1	/P	Clevis Pin
89	14268	1		Safety Shield-16 5/8" Lg.
	14269	1		Safety Shield-19" Lg.
90	742-0286	1	S	Upper Blade Disc
91	712-0114	1	S	Slotted Hex Nut 1/2-20 Thd.
92	736-0179	1	S	Fl.-Wash. .531" I.D. x 1.25" O.D.
93	750-0610	1	S	Spacer
94	738-0587	1	S	Shld. Scr. .50" Dia. x .36" (Special)

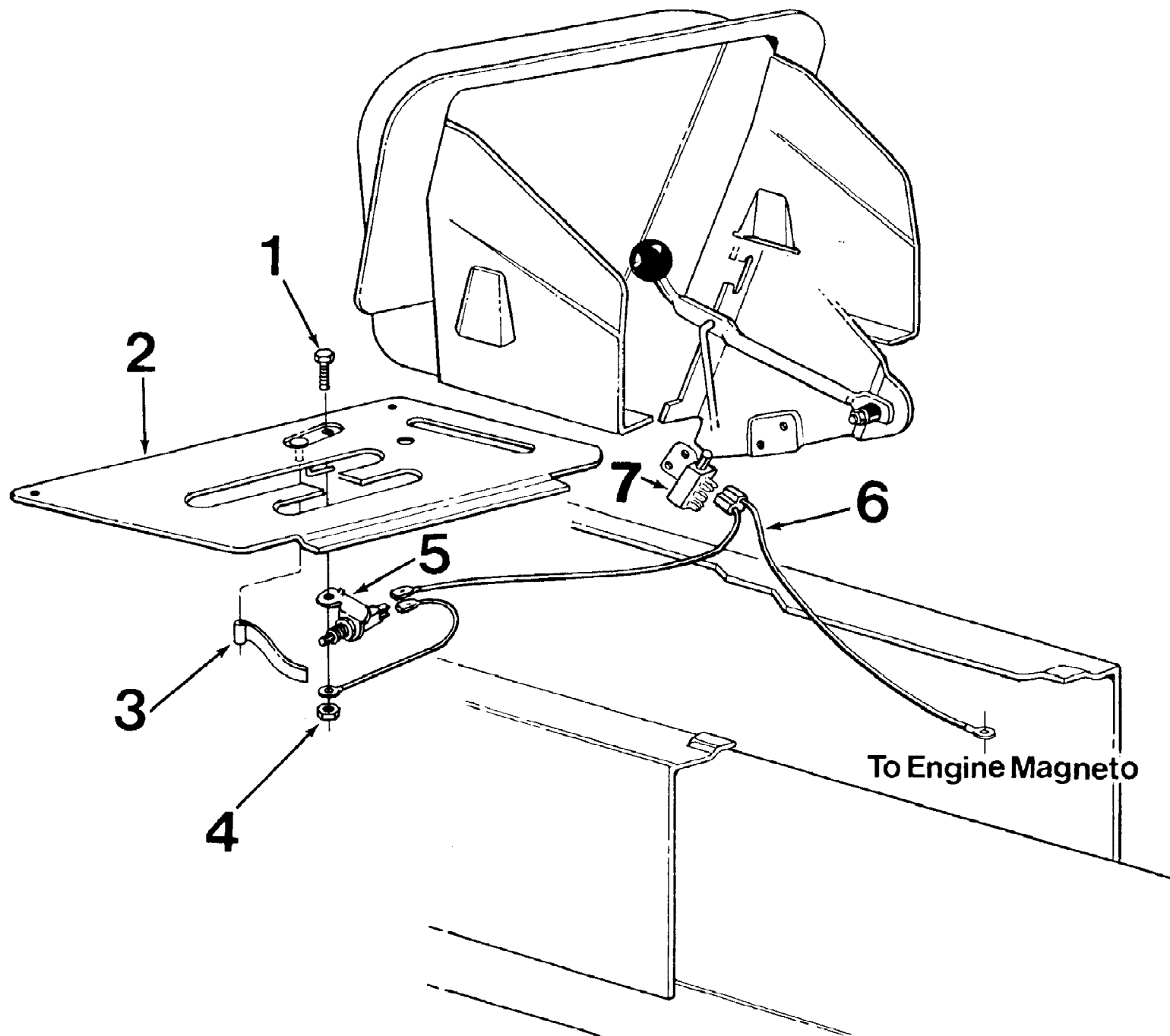
195-931-190 44" Rear Discharge Deck (1985)
Safety Reverse Switch For 050, 720 Thru 786 Models



195-931-190 44" Rear Discharge Deck (1985)
Safety Reverse Switch For 050, 720 Thru 786 Models

Page 5 of 7

Ref #	Part Number	Qty	S/P/F	Description
1	710-0227	1	/P	Hex Wash. Hd. Screw #8 x .50" Lg.
2	726-0222	1	S	Insulator Nut Plate
3	725-0758	1	S	Spring Switch (For model Series 050, 720 and 730)
	725-0759	1	S	Spring Switch (For model Series 760 thru 786)
4	725-0764	1		Reverse LockoutWire Harness
5	725-0465	1	S	Safety Switch



195-931-190 44" Rear Discharge Deck (1985)
Safety Reverse Switch For 810 Thru 836 Models

Page 7 of 7

Ref #	Part Number	Qty	S/P/F	Description
1	710-0289	1	S	Hex Bolt 1/4-20 x .50" Lg.
2	14466	1		Transmission Cover Ass'y.
3	732-0405	1		Switch Actuator Spring Lever
4	712-0287	1	S	Hex Nut 1/4-20 Thd.
5	725-0268	1	S	Safety Switch
6	725-0764	1		Reverse Lockout Wire Harness
7	725-0465	1	S	Safety Swi tch